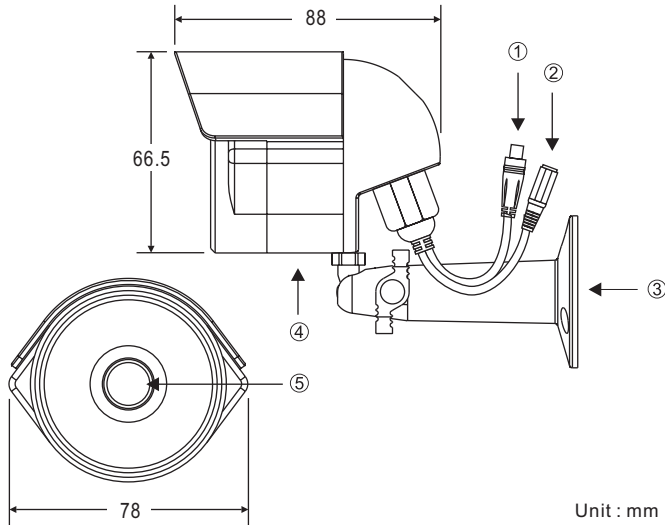




Instruction

Part Description & Dimension



- ① VIDEO OUTPUT JACK
- ② DC POWER INPUT (DC12V \pm 10%) JACK
- ③ BRACKET
- ④ CAMERA BODY
- ⑤ LENS

Features

1. Indoor/Outdoor installation.
2. Adopts "special OLPF" no focus shift.
3. High efficiency infrared LED, radiant distance - 20meters.
4. Sensor auto activate infrared LED under 10lux light level.
5. Monochrome image at night, no color noise.
6. Aluminum housing case with IP68 rating.
7. High sensitivity sensor, excellent picture quality.

Specifications

INFRARED CAMERA			
Model No.	ES-920□	ES-920H□	
Lens	Focal Length	3.6mm	
	Iris	F2.0	
	Angle of View	H	73°
		V	54.5°
D		92°	
Power Input Voltage	DC12V (±10%)		
System	NTSC or PAL		
Sync. Mode	Internal		
Pick Up Element	1/3" Interline Transfer CCD Sensor		
Effective Pixels	512(H) x 492(V) [NTSC]	768(H) x 494(V) [NTSC]	
	512(H) x 582(V) [PAL]	752(H) x 582(V) [PAL]	
Chip Size	5.59mm(H) x 4.68mm(V)		
Horizontal & Vertical	15.734KHz / 59.94Hz [NTSC]		
Sync. Frequency	15.625KHz / 50Hz [PAL]		
Scanning System	2:1 Interlace		
Resolution	380 TV Lines	540 TV Lines	
Min. Illumination	0.2 Lux(F2.0), 0 Lux(IR ON)	0.5 Lux(F2.0), 0 Lux(IR ON)	
S/N Ratio	More than 50dB (AGC-OFF)		
Auto Gain Control	36dB Variable Gain		
White Balance	ATW		
Aperture Correction	Horizontal , Vertical		
Power Consumption	4.8W		
Shutter	1/60(1/50)S ~ 1/100,000S (Auto)		
Back Light Compensation	Auto		
Video Output	CVBS 1.0Vp-p, 75ohm		
Gamma Characteristic	$\gamma=0.45$		
IP Rating	IP68		
Infrared LED	Peak Wavelength	850nm	
	Beam Spread	30°	
	Radiant Distance	20M	
Operating Temperature	-10°C ~ +50°C (14°F ~ 122°F)		
Dimension	78mm(W) x 66.5mm(H) x 88mm(D)		
Weight	340g		

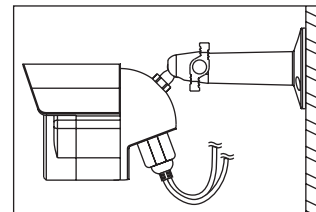
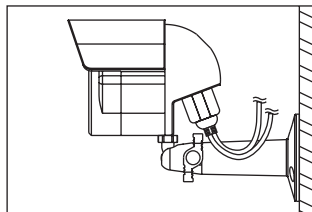
* To use this camera with third party's AC adaptor, please make sure that the adaptor contains built-in DC regulator. An AC adaptor without built-in DC regulator can damage this camera.

* Any attempt to disassemble the camera may hamper the waterproof ability of the camera.

* Design and specifications are subject to change without notice.

NOTES

1. While installing this camera, please curve output cable to be "U" type for avoiding the water penetrates into the camera through connected position of output cable and camera.



2. To make sure camera's safety and waterproof function, please use the adhesive tape to wrap connected position of DC power wire and video output wire.

